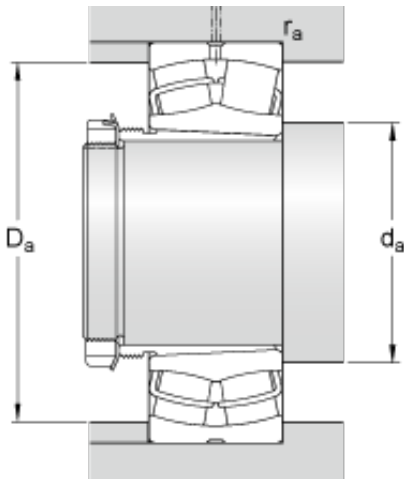




KYOK BEARING LTD



skf 23222 CCK/W33 + AHX 3222 G Spherical roller bearings

Bearing No. 23222 CCK/W33 + AHX 3222 G

23222 CCK/W33 + AHX 3222 G Bearing 2D drawings and 3D CAD models

d_1	105 mm
D	200 mm
B	69.8 mm
d_2	130 mm
D_1	169 mm
B_1	82 mm
B_2	86 mm
b	8.3 mm
K	4.5 mm
$r_{1,2}$ min.	2.1 mm
G	M 120x2
G_1	11 mm
d_a min.	118 mm
D_a max.	188 mm
r_a max.	2 mm
Basic dynamic load rating C	626 kN
Basic static load rating C_0	765 kN
Fatigue load limit P_u	76.5 kN
Reference speed	2200 r/min
Limiting speed	3200 r/min
Calculation factor e	0.33
Calculation factor Y_1	2
Calculation factor Y_2	3
Calculation factor Y_0	2
Mass bearing + sleeve	10.5 kg