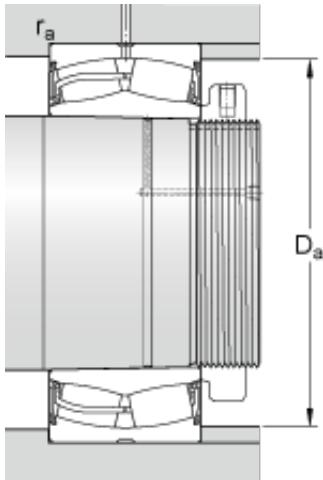




KYOK BEARING LTD



420 mm x 760 mm x 272 mm skf
23284-2CS5K/VT143 Spherical roller bearings

Bearing No. 23284-2CS5K/VT143

23284-2CS5K/VT143 Bearing 2D drawings and 3D CAD models

d	420 mm
D	760 mm
B	272 mm
d ₂	500 mm
D ₁	676 mm
b	22.3 mm
K	12 mm
r _{1,2} min.	7.5 mm
D _a max.	728 mm
r _a max.	6 mm
Basic dynamic load rating C	7683 kN
Basic static load rating C ₀	11600 kN
Fatigue load limit P _u	765 kN
Limiting speed	128 r/min
Calculation factor e	0.35
Calculation factor Y ₁	1.9
Calculation factor Y ₂	2.9
Calculation factor Y ₀	1.8
Mass bearing	519 kg